

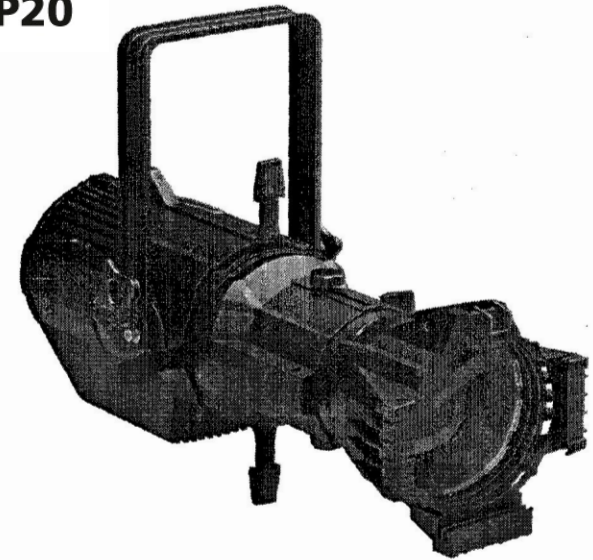
PSL

Professional Sound Light srl

LED PROFILE COLOUR LIGHT

CE
IP20

COD.E0028



MANUALE DI SERVIZIO



IP 20



LED Profile Light

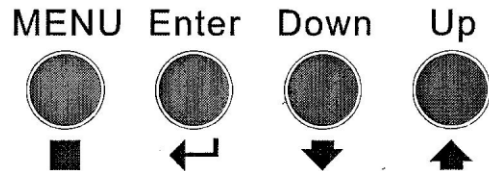
[Professional Sound Light srl- via Piane 27- 47853 Coriano \(RN\)](http://www.prosoundlight.it)
[tel 0541 660721 - inf@prosoundlight.it](mailto:inf@prosoundlight.it) www.prosoundlight.it

LED PROFILE COLOUR LIGHT

6. Technical parameters

LED Source	1xCOB RGBW fullcolour 180W LED
Optical group	Beam angle :19° (Beam angle 26° ,36° ,50° available) with high-efficiency optical system
Control	9DMX channels;LCD display+4 soft keys;4 selectable dimming curves
Connection	PowerconIn & Out; 3-pole DMX In & Out (5-pole DMX available)
Voltage	Electronic full-range AC 100-240V 50/60Hz
Max Power	180W
Measurements	Size: 64.5X28X22cm Weight: 7Kg

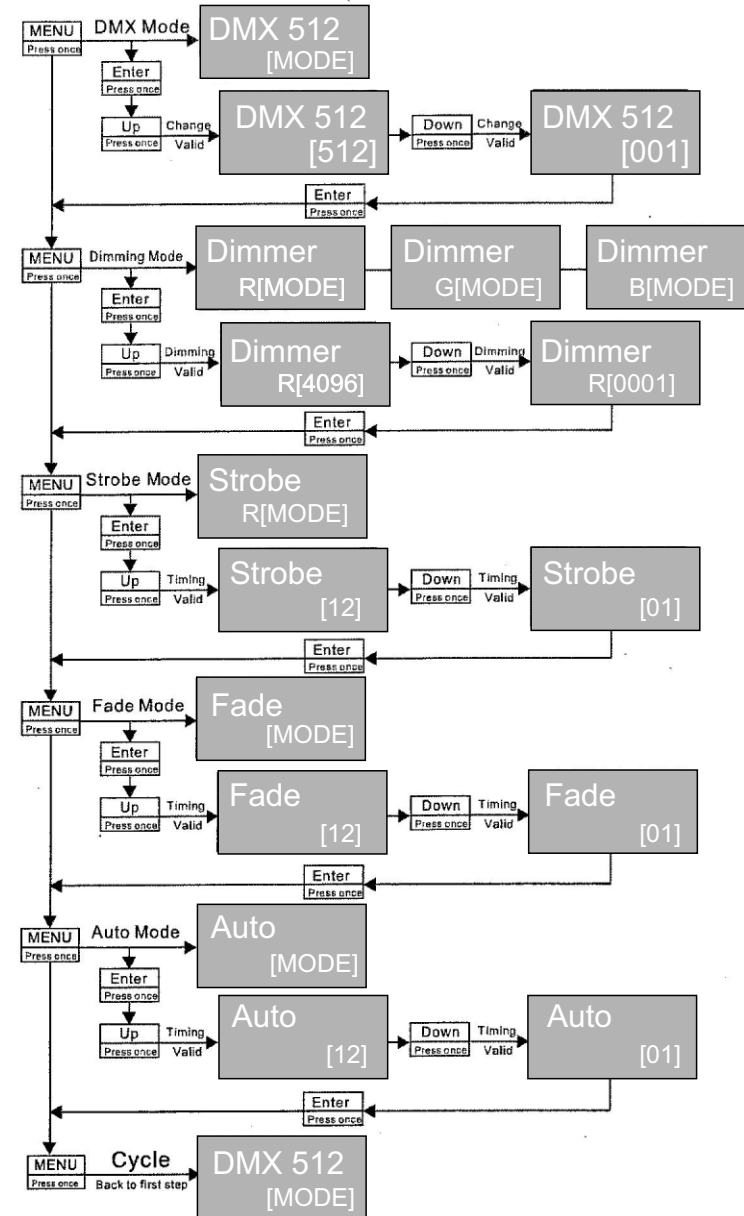
7. Control Panel



- Adjust keys function on panel
- Press "MENU" ---> Display first-level menu --->
 Press "Enter" ---> Display second-level menu --->
 Press "Down" & "Up" to adjust relevant function --->
 Press "Enter" and "MENU" to quit current menu --->
 Press "MENU" ---> To next first-level menu...

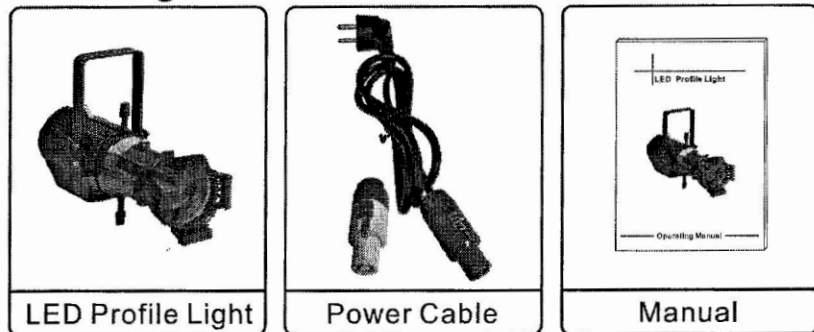
LED PROFILE COLOUR LIGHT

8. Menu

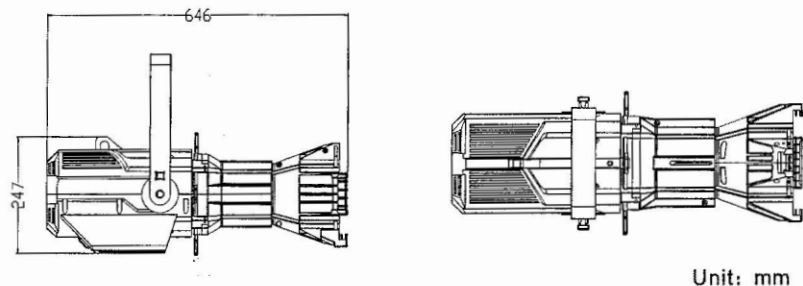


LED PROFILE COLOUR LIGHT

1.Packing List

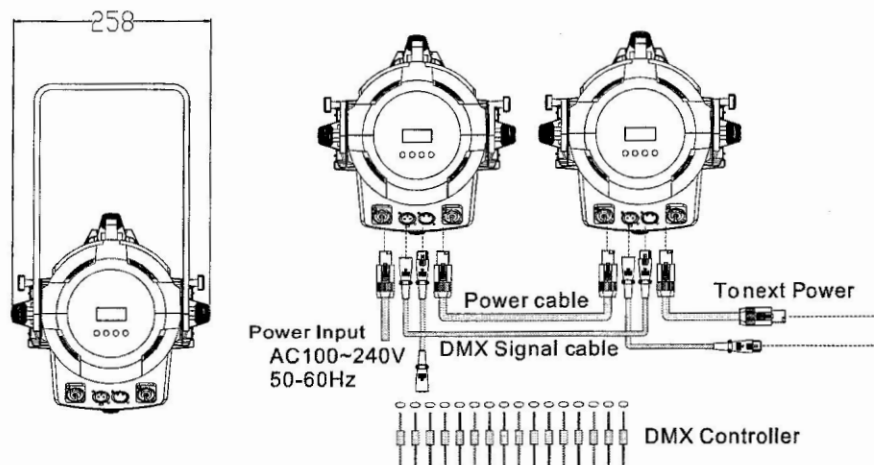


2.Measurements



Unit: mm

3.Wiring Diagram



LED PROFILE COLOUR LIGHT

10.Notes

Notes section with horizontal dashed lines for writing.

LED PROFILE COLOUR LIGHT

9.Function

DMX Mode

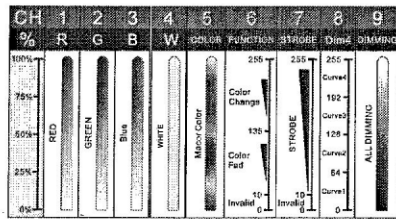
DMX 512
[MODE]

DMX 512
[001]

DMX 512
[512]

DMX Address Allocation: 001-512

DMX 9 Channels



Dimming Mode

Dimmer
R [MODE]

Dimmer
G [MODE]

Dimmer
B [MODE]

Dimmer
W [MODE]

Brightness adjust: 0001-4096 Dimming

Strobe Mode

Strobe
[MODE]

Strobe
[01]

Strobe
[12]

Strobe/Speed : 01-12 Dimming

Fade Mode

Fade
[MODE]

Fade
[01]

Fade
[12]

Fade/Speed : 01-12 Dimming

Auto Mode

Auto
[MODE]

Auto
[01]

Auto
[12]

Auto/Speed : 01-12 Dimming

Master/Slave Setting

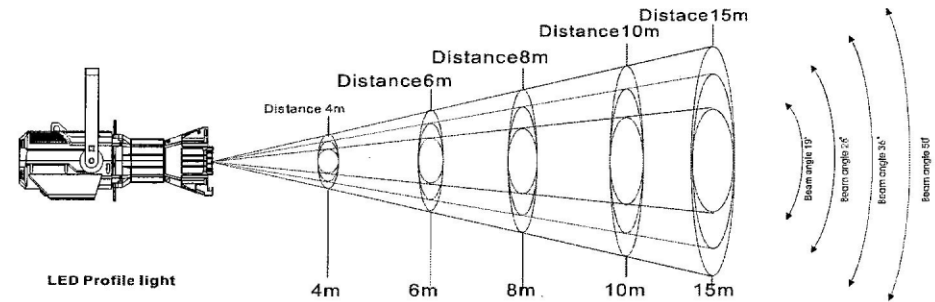
1, Master: Dimming /Strobe/Fade/AutoMode

2, All Slaves: DMX001 (as below)

DMX 512
[001]

LED PROFILE COLOUR LIGHT

4.Illumination Diagram



Illumination Center/Lux	R	G	B	W	Beam angle 19°
	410	216	128	78	
Beam Diameter/cm	124	180	248	315	503

Illumination Center/Lux	R	G	B	W	Beam angle 26°
	320	165	105	67	
Beam Diameter/cm	185	277	370	462	554

Illumination Center/Lux	R	G	B	W	Beam angle 36°
	230	125	87	55	
Beam Diameter/cm	220	380	430	620	810

Illumination Center/Lux	R	G	B	W	Beam angle 50°
	160	90	52	40	
Beam Diameter/cm	373	560	746	933	1120